

Electrical Maintenance Indicators

PiS 3200

with DIN plug connection

1. Features

Filter elements are economically used only if their dirt holding capacity is fully exploited. A reliable indication of the optimal time to replace the element is therefore vital.

These maintenance indicators include a DIN EN 175301-803 plug connection and are available in normally open, normally closed or change-over contact type version.

Thanks to the Filtration Group modular system these maintenance indicators can be used with all Filtration Group pressure filters.



2. Differential pressure indicators

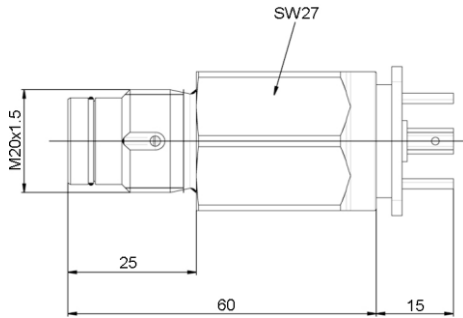


Fig. 1

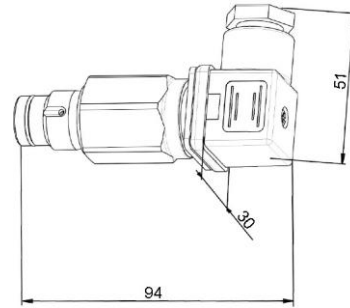


Fig. 2

Differential pressure indicators									
Nominal pressure [bar]	Temperature [°C]	Type	Order number	Indicator setting [bar]	Indication	Contact-type*	Fig.	Material housing	Material plug connection
160	-30 - +120	PiS 3209	70520470	2.2	electr.	norm. closed	1 + 2	Al	PA
		PiS 3212	70520472			norm. open	1 + 2		
		PiS 3215	70520477			3	1 + 2		
400	-30 - +120	PiS 3210	70520471	5.0	electr.	norm. closed	1 + 2	CuZn	PA
		PiS 3213	70520476			norm. open	1 + 2		
		PiS 3216	70520478			3	1 + 2		

*Contact type

1 Normally open or normally closed; 1 setting point; DIN EN 175301-803; max. 48 V DC; max. 0.5 A

3 Change-over contact; 1 setting point; DIN EN 175301-803; max. 48 V; max. 0.5 A

3. Technical specifications

3.1 Contact type normally open/normally closed

Contact type 1

Types PiS 3209, 3210

normally closed

Types PiS 3212, 3213

normally open

Material seal:

NBR*

Max. voltage:

48 V DC

Max. current:

0.5 A

Contact load:

10 VA

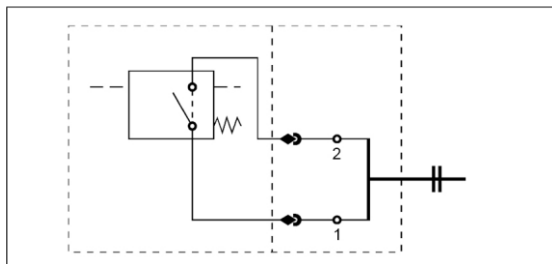
Type of protection:

IP 65 in inserted and secured status

Plug connection:

DIN EN 175 301-803

* other seals on request



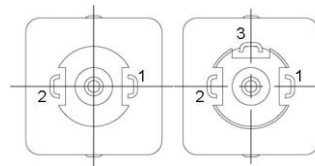
3.2 Contact type Change-over contact

Contact type 3

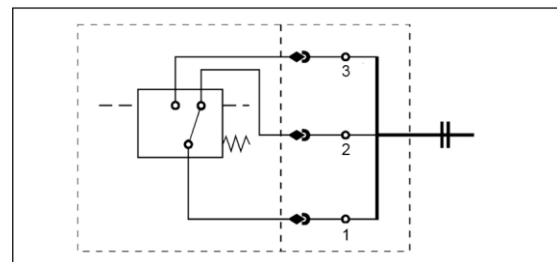
Types PiS 3215, 3216

change-over contact

for further technical details see 3.1



normally closed/normally open-change-over contact



Filtration Group GmbH

Schleifbachweg 45, D-74613 Öhringen

Phone +49 7941 6466-0, Fax +49 7941 6466-429

fm.de.sales@filtrationgroup.com, www.fluid.filtrationgroup.com

70563113.06/2019

Electrical Maintenance Indicators PiS 3200 DIN